



**Solid State Devices, Inc.**

14701 Firestone Blvd \* La Mirada, Ca 90638  
 Phone: (562) 404-4474 \* Fax: (562) 404-1773  
 ssdi@ssdi-power.com \* www.ssdi-power.com

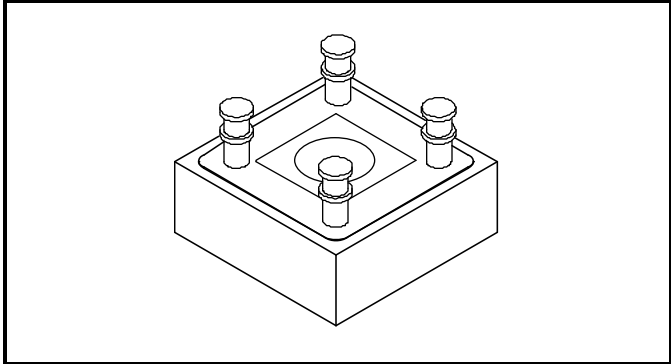
**SDA18A thru SDA18G  
 35A Rectifier Assembly**

**35 AMPS  
 200 – 800 VOLTS  
 ULTRA FAST RECOVERY  
 SINGLE PHASE BRIDGE RECTIFIER**

**Designer's Data Sheet**

**FEATURES:**

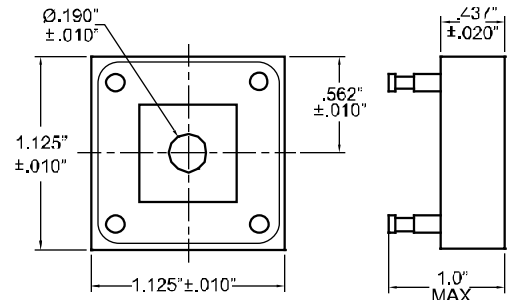
- Ultra Fast Reverse Recovery Time 50 ns Max
- Average Output Current 35 Amps @ 50°C
- Surge Current 300 Amps
- PIV 200 to 800 Volts Per Leg
- Operating & Storage Temp. Range -65°C to +150°C
- Thermal Resistance Junction to Case 1.5°C/W Max
- Aluminum Heat Sink Case
- Electrically Insulated from Case
- Hermetically Sealed Void Free Rectifier Cells
- Available in Higher Voltages
- Available in Hyper Fast Recovery



**ELECTRICAL CHARACTERISTICS<sup>1</sup>**

Part Number	Peak Inverse Voltage (per leg)	Sine Wave RMS Input Voltage Max.	Revers <sup>2</sup> Recovery Time	Average DC Output Current T <sub>c</sub> =Case Temp		Average DC Output Current T <sub>A</sub> = Ambient Temp (no heat sink)		Peak Forward Surge Current (1 Cycle)	Peak Repetitive Forward Current	Maximum Forward Voltage (per leg) @ 10 ADC	Maximum Reverse Current (per leg) @ PIV	
				I <sub>F(AV)</sub>	I <sub>F(AV)</sub>	I <sub>F(AV)</sub>	I <sub>F(AV)</sub>				I <sub>R</sub>	I <sub>R</sub>
Symbol	PIV	V <sub>r</sub>	T <sub>rr</sub>	I <sub>F(AV)</sub>		I <sub>F(AV)</sub>		I <sub>FSM</sub>	I <sub>FRM</sub>	V <sub>F</sub>	I <sub>R</sub>	
Units	Volts	Volts	ns	Amps		Amps		Amps	Amps	Volts	µA	
Conditions			Max	50°C	100°C	25°C	55°C				25°C	100°C
<b>SDA18A</b>	200	140	50	35	25	12	10	300	150	1.3	20	1000
<b>SDA18B</b>	300	210	50	35	25	12	10	300	150	1.3	20	1000
<b>SDA18C</b>	400	280	50	35	25	12	10	300	150	1.3	20	1000
<b>SDA18D</b>	500	350	50	35	25	12	10	300	150	1.3	20	1000
<b>SDA18E</b>	600	420	50	35	25	12	10	300	150	1.3	20	1000
<b>SDA18F</b>	700	490	50	35	25	12	10	300	150	1.5	20	1000
<b>SDA18G</b>	800	560	50	35	25	12	10	300	150	1.5	20	1000

**SDA18 Package:**



**NOTES:**

For ordering information, price, availability, outline and curves- Contact Factory.

1. Unless Otherwise Specified, All Electrical Characteristics @25°C.
2. Recovery Conditions: I<sub>F</sub> = 0.5 Amp, I<sub>R</sub> = 1.0 Amp rec. to .25 Amp.